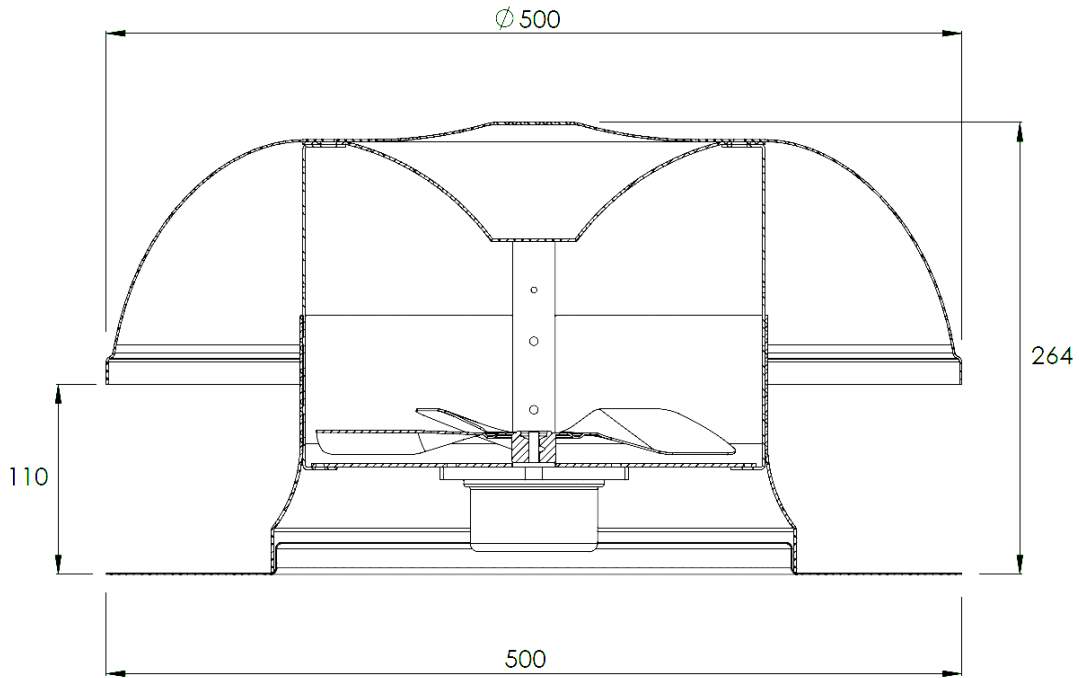


# MAESTRO VENTILATOR

DATE: 1 December 1999

REVISED: 31 January 2011



## SPECIFICATIONS:

**Material:** Aluminium, Galvanised Steel, Polypropylene

**Electrical:** Electronic Commutating (EC) Motor

Input Voltage: 12 VDC

Max. Running Current Draw 1 A

Max. Running Power Consumption 11 W

**Other:** Weight: 3.1 kg

Noise Level 63 dB(A)

Finish: Mill or Powdercoated

Thermostat Adjustment Range (°C) 5-60

Transformer Power Cable Length (m) 6

## Performance Chart

